



NOLLE ENGINEERING GmbH

PRODUCT CATALOG

3D-printed antennas for amateur radio and engineering customers.

NOLLE.ENGINEERING · EN



CONTENTS

IceConeFeed		4
<hr/>		
IceConeFeed v2	NE-ICF-001	5
IceConeFeed v2.1	NE-ICF-002	7
IceConeFeed v2 / v2.1 Radome	NE-ICF-010	9
Helix Element (3.5 / 4 / 5 turns)	NE-ICF-020	10
IceConeFeed LNB Adapter Ring	NE-ICF-030	12
IceConeFeed Customized	NE-ICF-040	14
IceConeFeed Prime Focus Adapter	NE-ICF-050	16
Ice Cone Feed DIY Version (STL Files)	NE-ICF-063	17
Ice Cone Feed Single Commercial License	NE-ICF-070	18
L-Band antennas		19
<hr/>		
L-Band Inmarsat 1525 MHz	NE-LBN-001	20
L-Band Inmarsat Bundle 1525 MHz (10-turn + accessories)	NE-LBN-002	22
L-Band H1 1420 MHz	NE-LBN-010	25
L-Band WX HRPT 1700 MHz	NE-LBN-020	27
L-Band GPS L2/L5 1200 MHz	NE-LBN-030	29
Cross clamp	NE-LBN-101	31
Elevation clamp	NE-LBN-102	32
Electronics Cover	NE-LBN-103	33
Tripod mount adapter	NE-LBN-104	34
POTY housings		35
<hr/>		
POTY Housing	NE-POT-001	36
Electronics		37
<hr/>		
TCXO 40MHz	NE-ELC-001	38



RF connectors

39

SMA Adapter	NE-CON-001	40
SMA-RP to Type N Adapter	NE-CON-002	41
SMA to F-Type Adapter	NE-CON-003	42
Type N 90° Elbow	NE-CON-004	43

LNBS

44

LNB Golden Media 202	NE-LNB-001	45
----------------------	------------	----

Services

46

Radiation Pattern Measurement Add-On	NE-SVC-001	47
--------------------------------------	------------	----



IceConeFeed

The IceConeFeed family — our flagship circularly-polarised QO100 / S-band feed line. Includes the v2 and v2.1 main feeds, radomes, customised builds, helix elements, LNB adapter rings, the prime-focus adapter, and the radiation-pattern measurement add-on. Every unit is tuned on the bench before shipping.



IceConeFeed v2

NE-ICF-001 · □□100



Original commercial 3D-printed dual feed for QO100. Operates as dual feed with all standard LNBS, no LNB modification required. Fully assembled and tuned to 2.4 GHz; for new stations the v2.1 with 1.3 dB lower LNB shadowing is recommended.

What it does The IceConeFeed v2 is the original commercial version of the QO100 dual feed. It clips onto the LNB of a standard offset satellite dish and adds a 2.4 GHz QO100 narrowband uplink without modifying or removing the LNB — the LNB stays in place and continues to receive the 10.7 GHz downlink. Fully assembled, tuned, and tested before shipping. Considering an upgrade? The newer IceConeFeed v2.1 has 1.3 dB lower LNB shadowing thanks to a tighter 2.2-turn helix with thinner wire — recommended for new stations or weak-signal QO100 narrowband work. Specifications Parameter Value Operating...

Parameter	Value
Polarization	LHCP, RHCP
Color	Custom, Orange/White
Weight	0.2 kg
Dimensions (L×W×H)	18 × 12 × 12 mm

Available variants

Polarization	Color	SKU
RHCP	Custom	NE-ICF-001-R-CM



LHCP	Custom	NE-ICF-001-L-CM
RHCP	Orange/White	NE-ICF-001-R-OW
LHCP	Orange/White	NE-ICF-001-L-OW

See current pricing and order online. All variants and lead times are listed on the product page:
<https://nolle.engineering/product/icfv2/>



IceConeFeed v2.1

NE-ICF-002 · □□1□□



Plug-and-play 3D-printed dual feed for QO100 ground stations. Operates uplink (2.4 GHz LHCP) and downlink (10.7 GHz RX via LNB) on any standard offset dish without LNB modification. Current production version with 1.3 dB lower LNB shadowing than v2 — better receive SNR for weak-signal narrowband.

What it does The IceConeFeed v2.1 is the current production version of the QO100 dual feed. It clips onto the LNB of a standard offset satellite dish and lets you transmit on the 2.4 GHz QO100 narrowband uplink without modifying or removing the LNB — the LNB stays in place and continues to receive the 10.7 GHz downlink. Fully assembled, tuned, and tested before shipping. Specifications Parameter Value Operating frequency (TX) 2400 MHz (QO100 narrowband uplink) Polarization LHCP (default) — RHCP available on request SWR @ 2.4 GHz < 1.05 LNB attenuation ~0.7 dB (1.3 dB lower than v2) Helix...

Parameter	Value
Polarization	LHCP, RHCP
Color	Custom, Orange/White
Weight	0.2 kg
Dimensions (L×W×H)	18 × 12 × 12 mm

Available variants

Polarization	Color	SKU
--------------	-------	-----



RHCP	Custom	NE-ICF-002-R-CM
LHCP	Custom	NE-ICF-002-L-CM
RHCP	Orange/White	NE-ICF-002-R-OW
LHCP	Orange/White	NE-ICF-002-L-OW

See current pricing and order online. All variants and lead times are listed on the product page:
<https://nolle.engineering/product/iceconefeed-v2-1/>



IceConeFeed v2 / v2.1 Radome

NE-ICF-010 · □□10□



Radome replacement

Replacement radome for IceConeFeed v2 and v2.1 Printed in PETG, standard color is white. The radome is also available in PETG transparent, note that the material is not fully translucent like glass but rather satined. With backlighting you can see the helix element inside.

Parameter	Value
Color	Transparent, White
Weight	0.2 kg
Dimensions (L×W×H)	18 × 12 × 12 mm

Available variants

Color	SKU
Transparent	NE-ICF-010-TR
White	NE-ICF-010-WT

See current pricing and order online. All variants and lead times are listed on the product page:
<https://nolle.engineering/product/iceconefeed-v2-radome/>



Helix Element (3.5 / 4 / 5 turns)

NE-ICF-020 · □□10□



Helix for IceConeFeed DIY version.
3.5, 4.0 or 5.5 turns 44mm diameter
28mm pitch

Helix for IceConeFeed DIY version. 3.5, 4.0
or 5.5 turns 44mm diameter 28mm pitch

Parameter	Value
Helix turns	3.5, 4, 5
Weight	0.042 kg
Dimensions (L×W×H)	13 × 5 × 5 mm

Available variants

Helix turns	SKU
5	NE-ICF-020-5
4	NE-ICF-020-4
3.5	NE-ICF-020-3-5



See current pricing and order online. All variants and lead times are listed on the product page:
<https://nolle.engineering/product/helix-element/>



IceConeFeed LNB Adapter Ring

NE-ICF-030 · □□1□□



Sizing ring that lets your LNB sit correctly inside the IceConeFeed throat. Compatibility list with common LNBs (Octagon Green, Diavolo, DX Patrol, OPTICUM, Golden Media, Megasat) below; some LNBs (Bullseye, Goobay, RemoteQTH) need no adapter.

Adapter ring to fit your LNB precisely to the IceConeFeed throat. Choose the size that matches your LNB diameter; for some LNBs no adapter is needed at all. LNB compatibility LNB model Adapter size Octagon Green 55×16mm Diavolo 55×16mm DX Patrol 55×10mm OPTICUM LTP 04H 59×16mm Golden Media 59×16mm Megasat 53/57×16mm (conical) Bullseye no adapter needed Goobay no adapter needed RemoteQTH no adapter needed If your LNB is not listed, please contact us with the LNB model and a photo — we either know the right size or can print a custom one.

Parameter	Value
Adapter size	53/57×16mm, 55×10mm, 55×16mm, 59×16mm
Weight	0.01 kg
Dimensions (L×W×H)	6 × 6 × 1.5 mm

Available variants

Adapter size	SKU
53/57×16mm	NE-ICF-030-53x16
59×16mm	NE-ICF-030-59x16



55×16mm	NE-ICF-030-55x16
55×10mm	NE-ICF-030-55x10

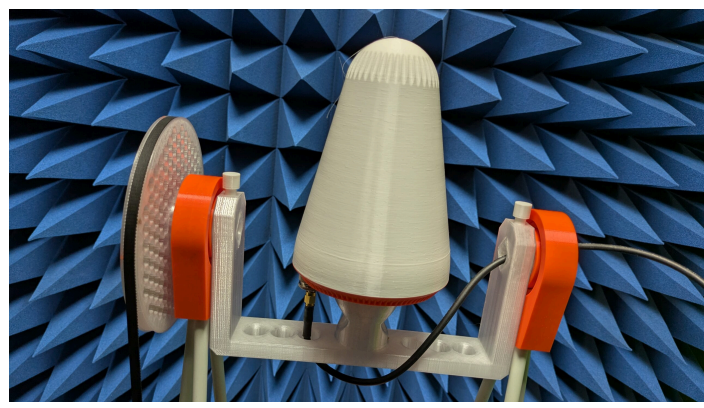


See current pricing and order online. All variants and lead times are listed on the product page:
<https://nolle.engineering/product/iceconefeed-lnb-adapter-ring/>



IceConeFeed Customized

NE-ICF-040 · SBAND · Q0100



Built-to-order IceConeFeed v2.1 variant: customer specifies center frequency (2.2–2.5 GHz) and helix turn count (2–3.5). Hand-tuned and S11-measured at the requested frequency before shipping. Typical lead time 2–3 weeks.

What it does The IceConeFeed Customized is a built-to-order variant of the IceConeFeed v2.1 . We retune the helix and adjust the turn count to match your application — useful when the standard 2.4 GHz Q0100 narrowband configuration does not fit, for example for S-band downlink experiments, drone-borne transmitter mock-ups, indoor-navigation testbeds, or wide-band amateur work outside the Q0100 band. Each unit is hand-built and tuned to your specified parameters. Typical lead time is two to three weeks from order placement. Specifications Parameter Value Center frequency Customer-specified,...

Parameter	Value
Test campaign	Standard QC, Full radiation pattern measurement
Weight	0.2 kg
Dimensions (L×W×H)	18 × 12 × 12 mm

Available variants

Test campaign	SKU
Full radiation pattern measurement	NE-ICF-040-ATF
Standard QC	NE-ICF-040-QC



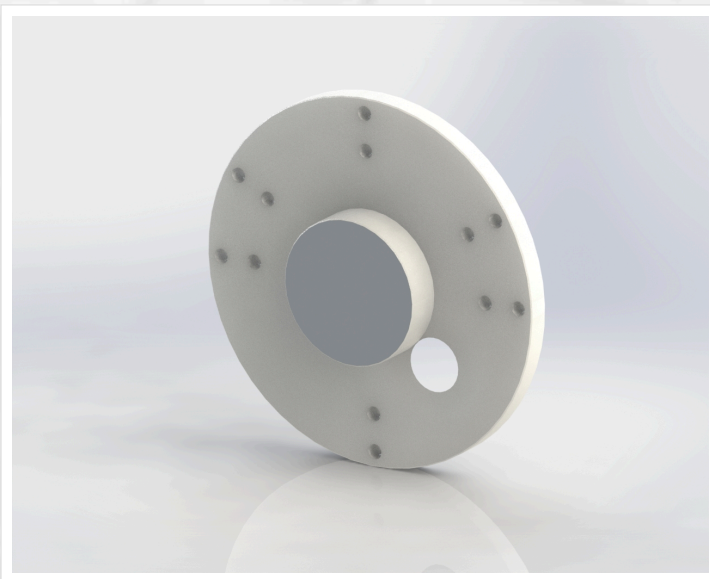
See current pricing and order online. All variants and lead times are listed on the product page:
<https://nolle.engineering/product/iceconefeed-customized/>





IceConeFeed Prime Focus Adapter

NE-ICF-050 · □□100



IceConeFeed Prime Focus Adapter

Custom adapter for prime focus dish mounting. Printed in white PETG, aluminum reflector. Note: This adapter is for RX only, there is no LNB opening. Typical use cases LEO satellite tracking in S-Band — pair the Prime Focus Adapter with a customised IceConeFeed tuned to your downlink band (2.2–2.5 GHz) for static or motor-tracked reception of low-orbit satellites. Prime-focus reflector experiments with IceConeFeed v2 / v2.1. Dish-feed configurations not supported by the standard offset-LNB clip-on geometry.

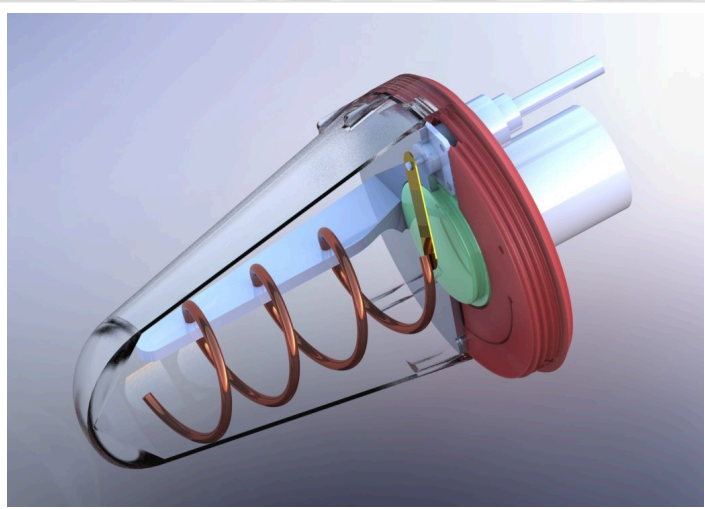
Parameter	Value
Weight	0.2 kg
Dimensions (L×W×H)	18 × 12 × 12 mm

See current pricing and order online. All variants and lead times are listed on the product page: <https://nolle.engineering/product/iceconefeed-prime-focus-adapter/>



Ice Cone Feed DIY Version (STL Files)

NE-ICF-063 · □□100



Open-source STL files for the original IceConeFeed v1 design. Print, wind a copper helix, tune to 2.4 GHz. Full build guide included. Free for private amateur radio use under CC BY-NC-ND; commercial use requires a separate license.

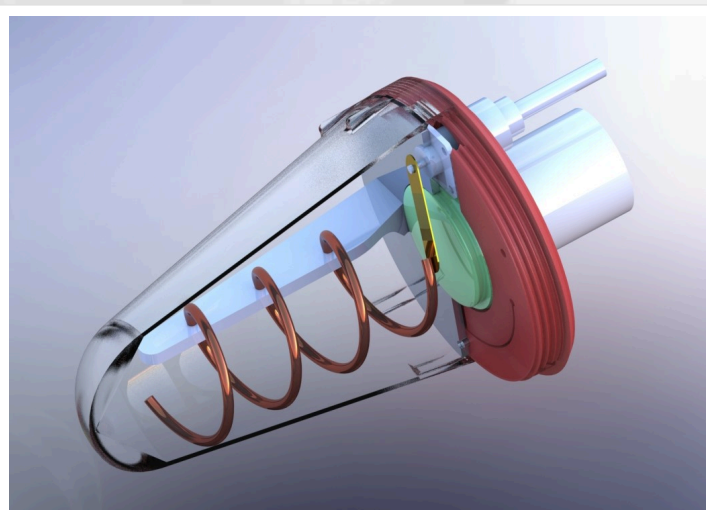
What it does The IceConeFeed DIY version is the open-source roots of our QO100 dual-feed product line. Download the STL files, 3D-print the structural parts in PETG, wind the helix from 3.5 mm copper wire, and tune to 2.4 GHz. Suitable for offset dishes 65–80 cm with LNBS up to 61 mm diameter. What you get STL files for the radome, base ring, helix support, reflector cup PDF build guide with helix winding template, tuning procedure, photographs License for private (non-commercial) amateur radio use Specifications (target) Parameter Value Operating frequency (TX) 2400 MHz Polarization LHCP...

See current pricing and order online. All variants and lead times are listed on the product page:
<https://nolle.engineering/product/ice-cone-feed-diy-version-stl-files/>



Ice Cone Feed Single Commercial License

NE-ICF-070 · □□100



Per-unit commercial license for the IceConeFeed DIY design. Required if you sell, rent, or otherwise monetise builds of the open-source files. One license = one assembled unit; for batch licensing or OEM use please contact us.

What this is The IceConeFeed DIY files are released under CC BY-NC-ND 4.0 — free for private amateur radio use, but commercial use requires explicit licensing. This product is a single-unit commercial license: it covers exactly one assembled and sold unit built from our open files. What's covered Right to manufacture and sell one assembled unit derived from the IceConeFeed DIY STL files Right to publish marketing material identifying the design as IceConeFeed-derived Email confirmation receipt with a unique license number you can reference in your invoice / product sheet What's not covered...

See current pricing and order online. All variants and lead times are listed on the product page: <https://nolle.engineering/product/ice-cone-feed-diy-commercial-license/>



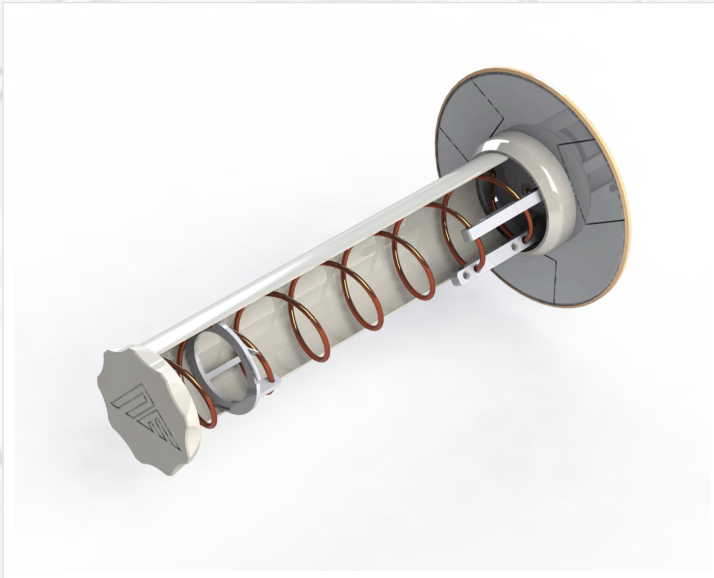
L-Band antennas

Directional helix antennas for the lower L-band: GNSS L2/L5, the H1 hydrogen line at 1420 MHz, Inmarsat at 1525 MHz, and weather-satellite HRPT at 1700 MHz. Plus the mounting hardware — cross clamps, elevation clamps, electronics covers, tripod adapters — you need to put them on a dish or pole.



L-Band Inmarsat 1525 MHz

NE-LBN-001 · L BAND



3D-printed L-band helix for Inmarsat reception (1525 MHz). Available as a 3-turn LHCP for offset-dish use or a 10-turn RHCP for direct reception with rotor — pick form factor + polarization at checkout. Original tuning, measured against Inmarsat-3 / Inmarsat-4 (Alphasat) downlinks.

What it does A 3D-printed helix antenna tuned to the 1525–1559 MHz Inmarsat downlink band. Two form factors selectable at checkout: 3 turns, LHCP (default) — clips into a standard 40 mm LNB clamp on an offset satellite dish, ~50–80 cm. Best for stationary GEO reception of Inmarsat-3 / Inmarsat-4. 10 turns, RHCP (default) — direct reception on an el/az rotor, no dish needed. Higher gain on low-elevation GEOs and suitable for both GEO and LEO satellites. Both variants share the same connector (N-type) and PETG construction. Polarization can be flipped on either form factor (LHCP ↔ RHCP) at...

Parameter	Value
Helix turns	10, 3
Polarization	LHCP, RHCP
Color	Custom, Orange/White
Weight	0.650 kg
Dimensions (L×W×H)	37 × 18 × 18 mm

Available variants



Helix turns	Polarization	Color	SKU
10	LHCP	Custom	NE-LBN-001-10-L-CM
10	RHCP	Custom	NE-LBN-001-10-R-CM
10	LHCP	Orange/White	NE-LBN-001-10-L-OW
10	RHCP	Orange/White	NE-LBN-001-10-R-OW
3	RHCP	Custom	NE-LBN-001-3-R-CM
3	LHCP	Custom	NE-LBN-001-3-L-CM
3	RHCP	Orange/White	NE-LBN-001-3-R-OW
3	LHCP	Orange/White	NE-LBN-001-3-L-OW

See current pricing and order online. All variants and lead times are listed on the product page:
<https://nolle.engineering/product/l-band-antenna-rhcp/>



L-Band Inmarsat Bundle 1525 MHz (10-turn + accessories)

NE-LBN-002 · LBAND





Bundle consisting of L-band antenna and all mounting material to setup an L-band receiver station. Standard polarization is RHCP , but you can also select an LHCP version. Note: LNA and SDR are NOT included (available from 3rd party here)

L-Band antenna ASSEMBLY INSTRUCTIONS

Parameter	Value
Weight	1 kg
Dimensions (L×W×H)	37 × 18 × 18 mm

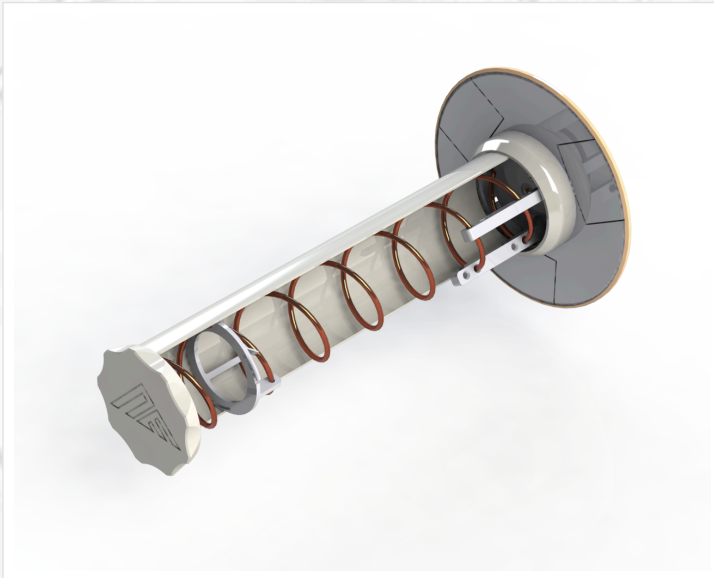


See current pricing and order online. All variants and lead times are listed on the product page:
<https://nolle.engineering/product/l-band-antenna-rhcp-bundle/>



L-Band H1 1420 MHz

NE-LBN-010 · LBAND



10-turn RHCP helix tuned to 1420 MHz, the neutral-hydrogen 21 cm radio-astronomy line. Direct reception, no dish needed. Suitable for amateur radio astronomy, mapping the galactic hydrogen distribution.

What it does A 10-turn RHCP helix tuned to 1420 MHz, the rest frequency of the 21 cm neutral-hydrogen line. Used for amateur radio-astronomy work — observing galactic hydrogen distribution, tracking spiral-arm rotation curves, and building a personal H1 radio telescope without a parabolic dish. Specifications Parameter Value Center frequency 1420 MHz Polarization RHCP (default) — LHCP available on request Helix turns 10 Wire diameter 3.5 mm Connector N-type Length × Ø 521 × 180 mm Weight 650 g Mount 6 × M4 bolts (universal) for el/az tracking Material PETG, UV-resistant Color Orange/White...

Parameter	Value
Polarization	RHCP
Color	Custom, Orange/White
Weight	0.650 kg
Dimensions (L×W×H)	37 × 18 × 18 mm

Available variants

Polarization	Color	SKU
RHCP	Custom	NE-LBN-010-R-CM
RHCP	Orange/White	NE-LBN-010-R-OW

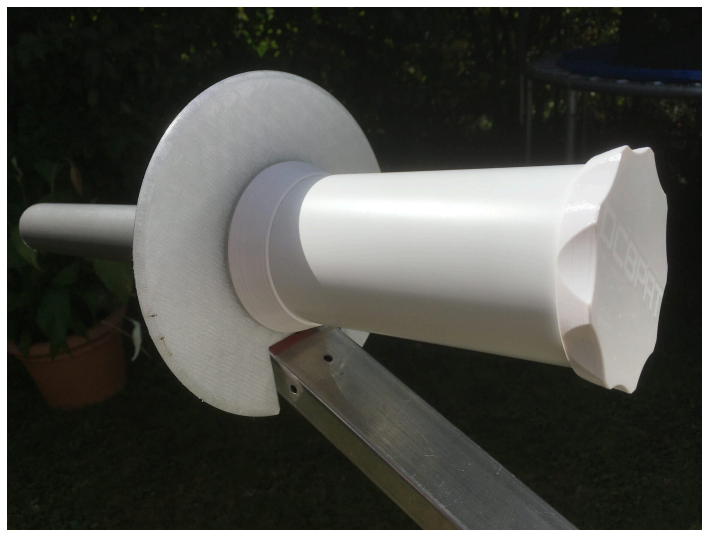


See current pricing and order online. All variants and lead times are listed on the product page:
<https://nolle.engineering/product/l-band-antenna-h1/>



L-Band WX HRPT 1700 MHz

NE-LBN-020 · LBAND



10-turn RHCP helix tuned to 1700 MHz for direct reception of HRPT weather satellite downlinks (NOAA, MetOp). With an offset dish, the same tuning also receives Russian Elektro-L geostationary weather imagery — see the Lab WebSDR.

What it does A 10-turn RHCP helix tuned to 1700 MHz. Decodes HRPT (High Resolution Picture Transmission) downlinks from NOAA POES and MetOp weather satellites in LEO when mounted on an el/az rotor. With an offset dish (3-turn front-end variant), the same tuning also receives the L3 downlink from Russian Elektro-L geostationary weather satellites — a deployment we run as a public WebSDR. Specifications
Parameter Value Center frequency 1700 MHz (1690–1710 MHz HRPT band) Polarization RHCP (default) — LHCP available on request Helix turns 10 Connector N-type Mount 6 × M4 bolts (universal) for...

Parameter	Value
Polarization	LHCP, RHCP
Color	Custom, Orange/White
Weight	0.289 kg
Dimensions (L×W×H)	19 × 18 × 18 mm

Available variants

Polarization	Color	SKU
LHCP	Custom	NE-LBN-020-L-CM
RHCP	Custom	NE-LBN-020-R-CM



LHCP	Orange/White	NE-LBN-020-L-0W
RHCP	Orange/White	NE-LBN-020-R-0W

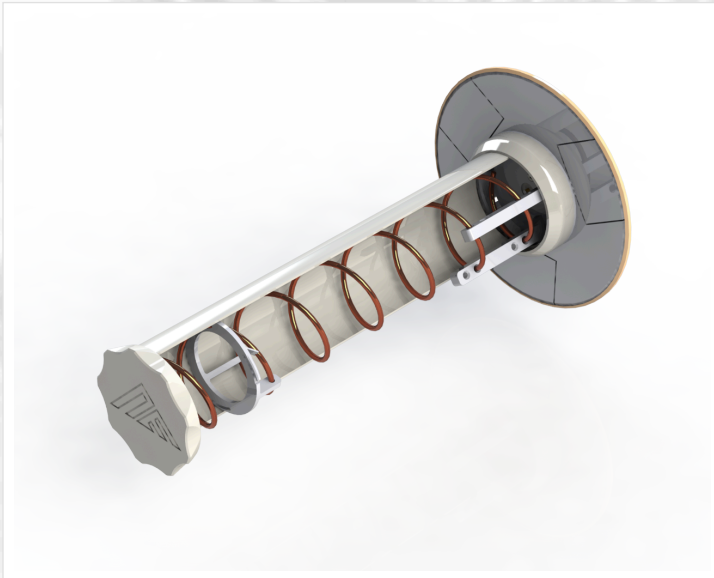


See current pricing and order online. All variants and lead times are listed on the product page:
<https://nolle.engineering/product/l-band-antenna-wx-hrpt/>



L-Band GPS L2/L5 1200 MHz

NE-LBN-030 · LBAND



10-turn RHCP helix tuned for GPS L2 (1227 MHz) / L5 (1176 MHz) bands. Direct reception, suitable for multi-band GNSS monitoring and indoor-navigation research applications.

What it does A 10-turn RHCP helix tuned across the lower GNSS L-band — covering GPS L5 at 1176.45 MHz and GPS L2 at 1227.6 MHz. Suitable for civilian dual-frequency GPS monitoring, jamming/spoofing research, and indoor-navigation testbeds where a directional helix is preferred over a patch. Specifications Parameter Value Center frequency 1200 MHz (covers L5 1176 MHz + L2 1227 MHz) Polarization RHCP (default) — LHCP available on request Helix turns 10 Connector N-type Mount 6 × M4 bolts (universal) Material PETG, UV-resistant Color Orange/White (default), Custom on request Typical use cases...

Parameter	Value
Polarization	LHCP, RHCP
Color	Custom, Orange/White
Weight	0.650 kg
Dimensions (L×W×H)	37 × 18 × 18 mm

Available variants

Polarization	Color	SKU
LHCP	Custom	NE-LBN-030-L-CM
RHCP	Custom	NE-LBN-030-R-CM
LHCP	Orange/White	NE-LBN-030-L-OW



RHCP

Orange/White

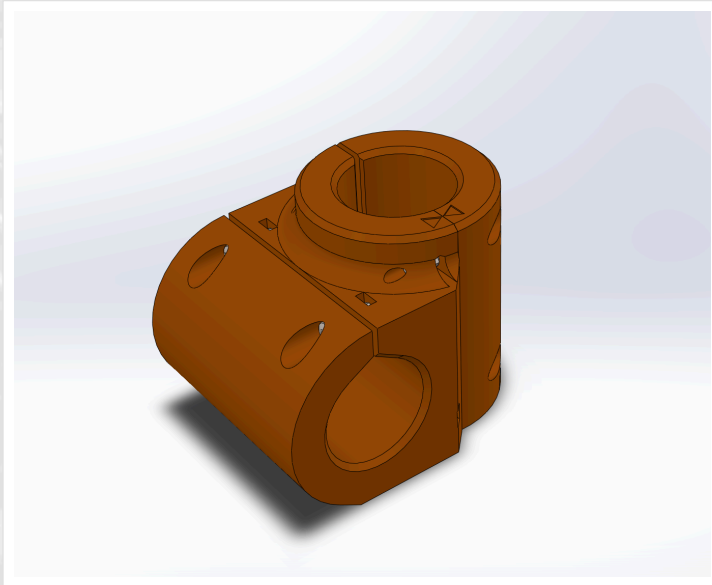
NE-LBN-030-R-0W

See current pricing and order online. All variants and lead times are listed on the product page:
<https://nolle.engineering/product/l-band-antenna-l2-l5-lhcp/>



Cross clamp

NE-LBN-101 · LBAND



Cross clamp for mounting 40mm pipes.

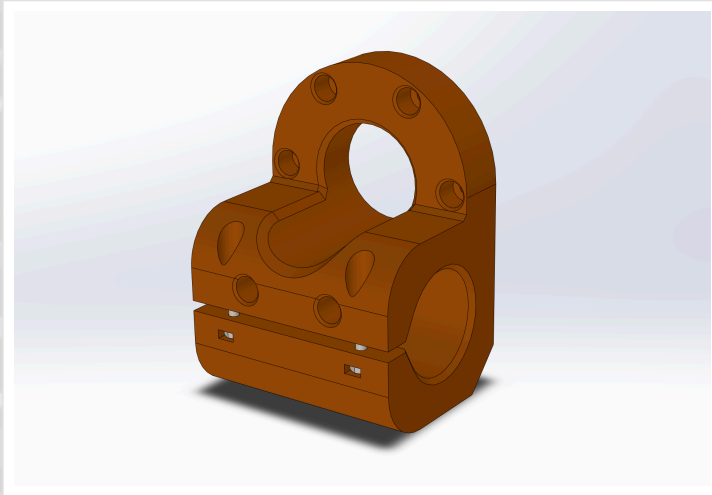
Parameter	Value
Weight	0.2 kg
Dimensions (L×W×H)	18 × 12 × 12 mm

See current pricing and order online. All variants and lead times are listed on the product page:
<https://nolle.engineering/product/crossclamp/>



Elevation clamp

NE-LBN-102 · L BAND



Elevation clamp to mount L-Band RHCP antenna to 40mm pipe and adjust antenna elevation angle.

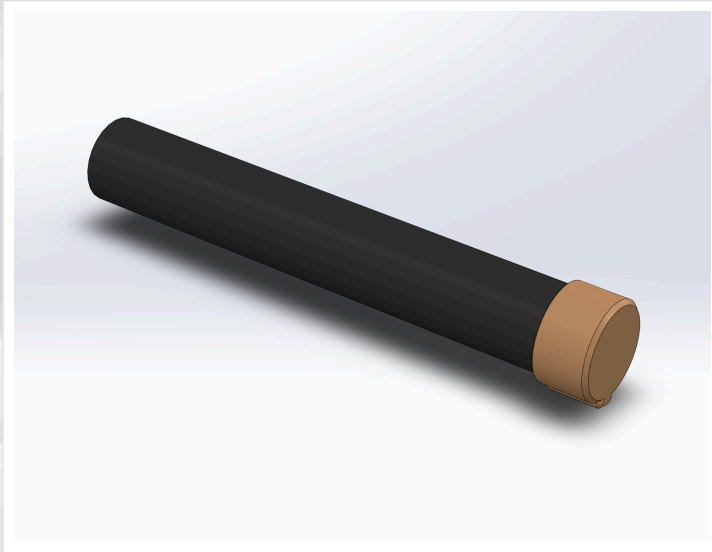
Parameter	Value
Weight	0.2 kg
Dimensions (L×W×H)	18 × 12 × 12 mm

See current pricing and order online. All variants and lead times are listed on the product page:
https://nolle.engineering/product/elevation_clamp/



Electronics Cover

NE-LBN-103 · L BAND



40mm x 250mm pipe + end cap to cover LNA and SDR assembly. The 3D printed end cap features a guide for USB cables

Parameter	Value
Weight	0.2 kg
Dimensions (L×W×H)	25 × 5 × 5 mm

See current pricing and order online. All variants and lead times are listed on the product page:
https://nolle.engineering/product/electronics_cover/



Tripod mount adapter

NE-LBN-104 · L BAND



Adapter to mount L-Band antenna to a standard Manfrotto 501PL type tripod mount. 1/4" UNC nut included.

Parameter	Value
Weight	0.2 kg
Dimensions (L×W×H)	10 × 12 × 10 mm

See current pricing and order online. All variants and lead times are listed on the product page:
https://nolle.engineering/product/tripod_mount/



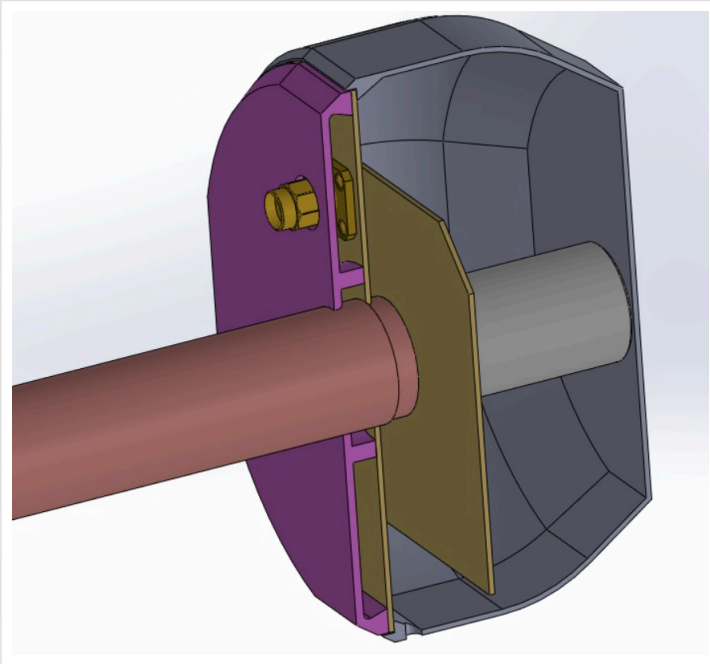
POTY housings

POTY-style dual-feed housings for QO100 — RX/TX in a single 3D-printed body. Tuned and SWR-checked per unit.



POTY Housing

NE-POT-001 · □□1□□



3D-printed two-part housing (radome + back cap) for the standard QO100 POTY feed — choose SMA or Type-N socket variant.

3D-printed two-part housing (radome + back cap) for the standard QO100 POTY feed. Available with either an SMA or Type-N socket — pick your variant above. Compatible with POTY feeds matching the following dimensions:

Parameter	Value
Connector	SMA, Type N
Weight	0.1 kg
Dimensions (L×W×H)	11 × 11 × 10 mm

Available variants

Connector	SKU
Type N	NE-POT-001-N
SMA	NE-POT-001-S

See current pricing and order online. All variants and lead times are listed on the product page: <https://nolle.engineering/product/poty-housing/>



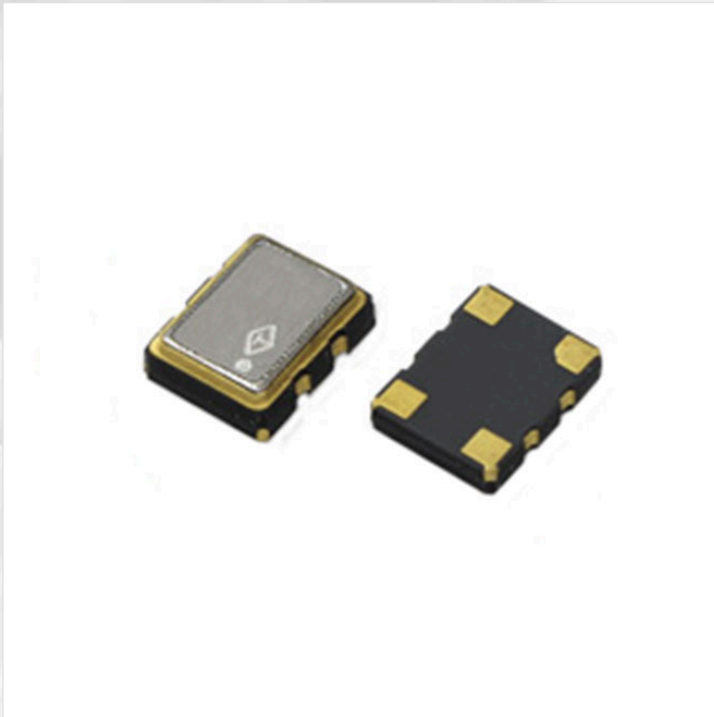
Electronics

TCXOs and small electronics that complement the antenna line.
Specs and compatibility on each product page.



TCXO 40MHz

NE-ELC-001 · □□100



TCXO for Adalm pluto modification Taitien TXETBLSANF-40.000000 Digi-Key Part Number: 1664-1270 Datasheet

Parameter	Value
Weight	0.01 kg
Dimensions (L×W×H)	1 × 1 × 1 mm

See current pricing and order online. All variants and lead times are listed on the product page:
<https://nolle.engineering/product/tcxo-40mhz/>



RF connectors

Adapters and right-angle elbows we keep in stock to round out an order: SMA, SMA-RP, F-type, N-type. No third-party stickers — brand-named parts only when listed.



SMA Adapter

NE-CON-001 · 00100 · LBAND



Compact RF adapter between SMA jack and N plug — for connecting SMA-equipped equipment to N-type feedlines on the IceConeFeed.

Adapter between SMA jack and N plug. Used to connect SMA-equipped equipment to N-type cabling — typical use case is bringing the IceConeFeed's N-type feed-line into an SMA-equipped LNA or SDR.

Parameter	Value
Weight	0.080 kg
Dimensions (L×W×H)	3 × 3 × 3 mm

See current pricing and order online. All variants and lead times are listed on the product page:
<https://nolle.engineering/product/sma-adapter/>



SMA-RP to Type N Adapter

NE-CON-002 · □□1□□



RF adapter from SMA-RP (reverse polarity) jack to N plug — bridges WiFi-style SMA-RP cabling to N-type feedlines.

Adapter from SMA jack (reverse polarity) to N plug. Note: the SMA side is REVERSE POLARITY.

Parameter	Value
Weight	0.080 kg

See current pricing and order online. All variants and lead times are listed on the product page:
<https://nolle.engineering/product/sma-rp-to-type-n-adapter/>



SMA to F-Type Adapter

NE-CON-003 · □□1□□



RF adapter from SMA to F-type plug — bridges SMA-equipped LNAs and SDRs to standard satellite-dish F-type cabling.

Adapter from SMA to F-type plug. Useful for connecting SMA-equipped LNAs or SDRs to standard satellite-dish F-type cabling.

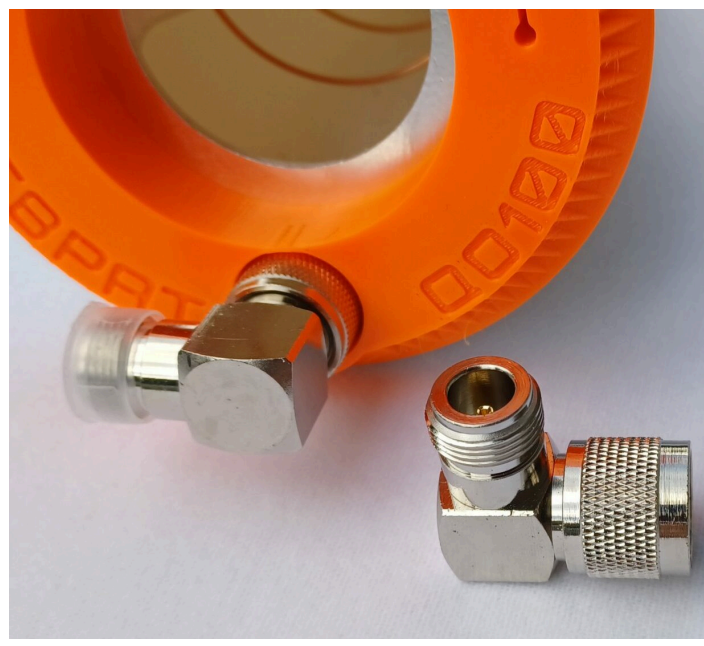
Parameter	Value
Weight	0.080 kg
Dimensions (L×W×H)	2 × 2 × 2 mm

See current pricing and order online. All variants and lead times are listed on the product page: <https://nolle.engineering/product/sma-nach-f-adapter/>



Type N 90° Elbow

NE-CON-004 · □□10□



Type N 90° angle adapter (male/female) — for tight-clearance antenna mounts where a straight feed line would foul the dish or mast.

Type N 90° angle adapter (male / female). Useful when a straight feed line would foul the dish or mast — keeps the cable run clean against tight-clearance mounts. Suitable for the IceConeFeed.

Parameter	Value
Weight	0.080 kg

See current pricing and order online. All variants and lead times are listed on the product page:
<https://nolle.engineering/product/type-n-90-elbow/>



LNBS

Low-noise blocks selected to pair with our feeds. Tested against the IceConeFeed in-house before they go on the shelf.



LNB Golden Media 202

NE-LNB-001 · □□100



LNB compatible with the IceConeFeed v2

This LNB can be modified to accept an external reference, see here: Golden Media 202 Modification for external LO The product gallery shows LNB internals, different GM202 versions are shown. Universal Twin LNB 202 Input Frequency Range 10,7 – 11,7 GHz / 11,7 – 12,75 GHz Output Frequency Range 950 – 1950 MHz / 1100 – 2150 MHz LO Frequency 10,6 GHz Noise Figure 0,1 dB (Typ.) Power Consumption max. 200 mA Conversion Gain 55 – 65 dB Operation Temperature - 30°C - + 60°C Connection F-Type

Parameter	Value
Weight	0.2 kg

See current pricing and order online. All variants and lead times are listed on the product page: <https://nolle.engineering/product/lnb-golden-media-202/>



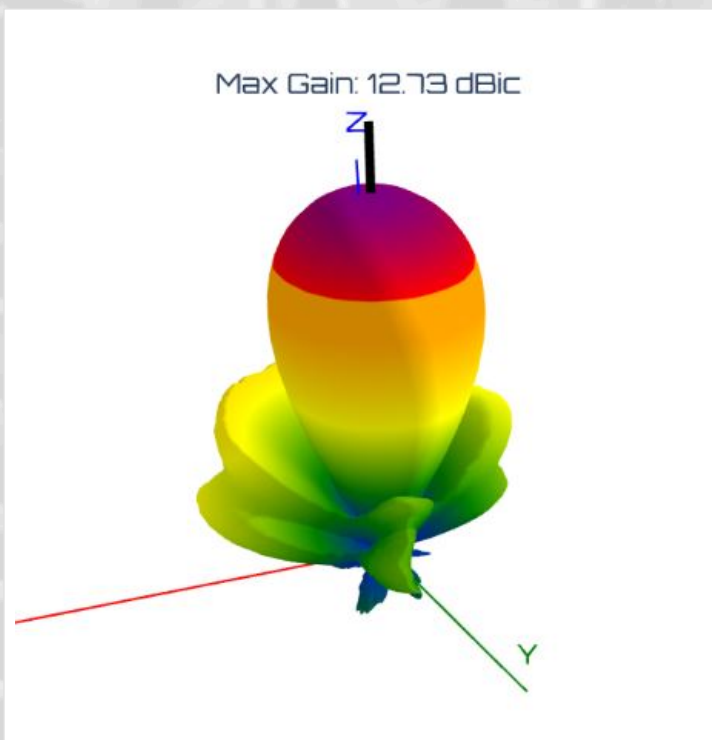
Services

Add-ons available alongside an antenna order — most notably the radiation-pattern measurement at the Antenna Test Facility.



Radiation Pattern Measurement Add-On

NE-SVC-001 · L BAND



This service comprises an individual radiation pattern measurement on any of our inhouse antenna products. Full 3D antenna measurement, 10k points, equally spherically distributed S21 raw measurement across frequency range, 101 measurement points Test report contains, isotropic antenna gain, axial ratio, max gain and half power beam width across frequency range Interactive HTML report Click here for a sample test report → For full details on measurement setup and what to expect: see the Antenna Test Facility page. Note: this service is currently only available for [nolle.engineering/antenna...](https://nolle.engineering/antenna)

See current pricing and order online. All variants and lead times are listed on the product page: <https://nolle.engineering/product/radiation-pattern-measurement-add-on/>



CONTACT

Nolle Engineering GmbH
Angerstr. 31, 85635 Höhenkirchen-Siegertsbrunn, Germany

E-mail: info@nolle.engineering

Web: <https://nolle.engineering>

Pricing and lead times are kept current on the website. EU customers see VAT-inclusive prices in EUR; non-EU customers see net prices. All prices exclude shipping.

Generated 2026-05-07.



ANNEX – PART-NUMBER REFERENCE

Part-number format

Codes use the format NE-LLL-NNN[-VARIANT] where LLL is the product line, NNN the product within that line, and the optional variant suffix encodes attributes such as polarization, color, helix turns, or adapter size.

The NE prefix distinguishes new codes from the legacy 6-digit numeric SKUs that ran from 2020 to early 2026.

Variant attribute codes

Attribute	Codes
Polarization	L = LHCP · R = RHCP
Color	OW = Orange/White · CM = Custom · WT = White · TR = Transparent
Helix turns	3 · 3-5 · 4 · 5 · 7 · 10
Adapter size	55x10 · 55x16 · 59x16 · 53x16

When multiple attributes apply, ordering is helix-turns → polarization → color → adapter-size, dash-separated. Example: NE-LBN-001-10-R-CM = L-Band Inmarsat, 10-turn, RHCP, Custom color.



Catalogue listing

Every active product, by line. Click any code or name to open the live product page on nolle.engineering.

NE-ICF · IceConeFeed

NE-ICF-001	IceConeFeed v2
NE-ICF-002	IceConeFeed v2.1
NE-ICF-010	IceConeFeed v2 / v2.1 Radome
NE-ICF-020	Helix Element (3.5 / 4 / 5 turns)
NE-ICF-030	IceConeFeed LNB Adapter Ring
NE-ICF-040	IceConeFeed Customized
NE-ICF-050	IceConeFeed Prime Focus Adapter
NE-ICF-063	Ice Cone Feed DIY Version (STL Files)
NE-ICF-070	Ice Cone Feed Single Commercial License
NE-ICF-051	IceConeFeed Prime Focus Custom (private)

NE-LBN · L-Band antennas

NE-LBN-001	L-Band Inmarsat 1525 MHz
NE-LBN-002	L-Band Inmarsat Bundle 1525 MHz (10-turn + accessories)
NE-LBN-010	L-Band H1 1420 MHz
NE-LBN-020	L-Band WX HRPT 1700 MHz
NE-LBN-030	L-Band GPS L2/L5 1200 MHz
NE-LBN-101	Cross clamp
NE-LBN-102	Elevation clamp
NE-LBN-103	Electronics Cover
NE-LBN-104	Tripod mount adapter

NE-POT · POTY housings

NE-POT-001	POTY Housing
------------	--------------

NE-ELC · Electronics

NE-ELC-001	TCXO 40MHz
------------	------------

NE-CON · RF connectors

NE-CON-001	SMA Adapter
------------	-------------



- NE-CON-002 SMA-RP to Type N Adapter
- NE-CON-003 SMA to F-Type Adapter
- NE-CON-004 Type N 90° Elbow

NE-LNB · LNBS

- NE-LNB-001 LNB Golden Media 202

NE-SVC · Services

- NE-SVC-001 Radiation Pattern Measurement Add-On

Looking up an old code

Pre-2026 invoices and product sheets used a 6-digit numeric format (e.g. 121200). The NE- prefix is the canonical code going forward — old codes remain on historical records as immutable references. Mail us if you need to map an old number.