

16 15 14 13 12 11 10 9 8 7 6 5 4 3 2 1

M

L

K

J

H

G

F

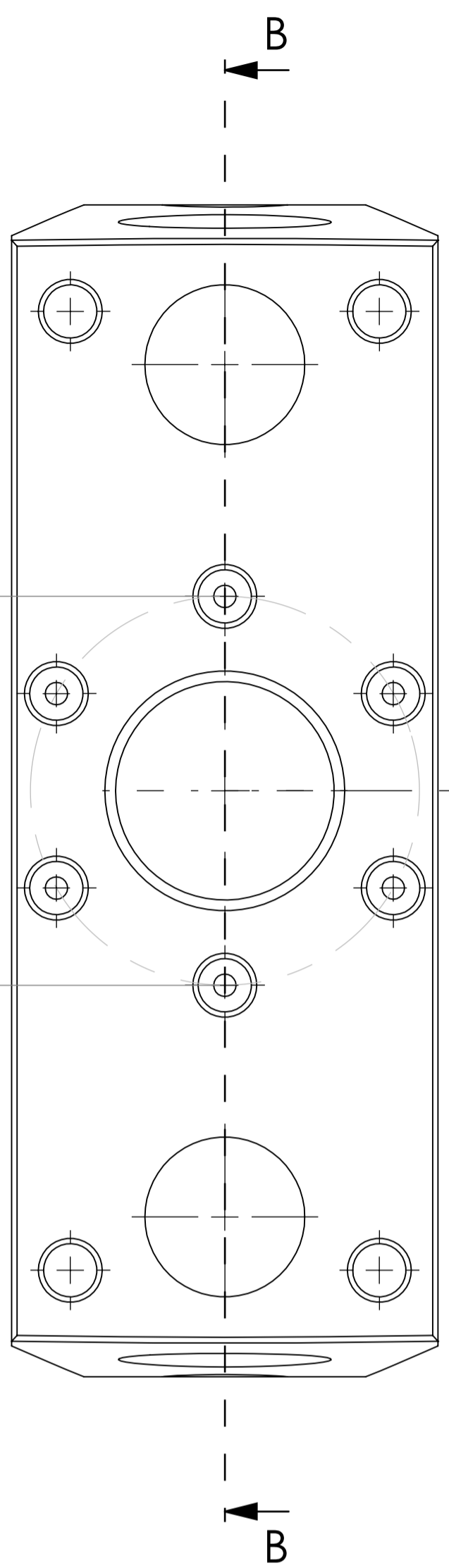
E

D

C

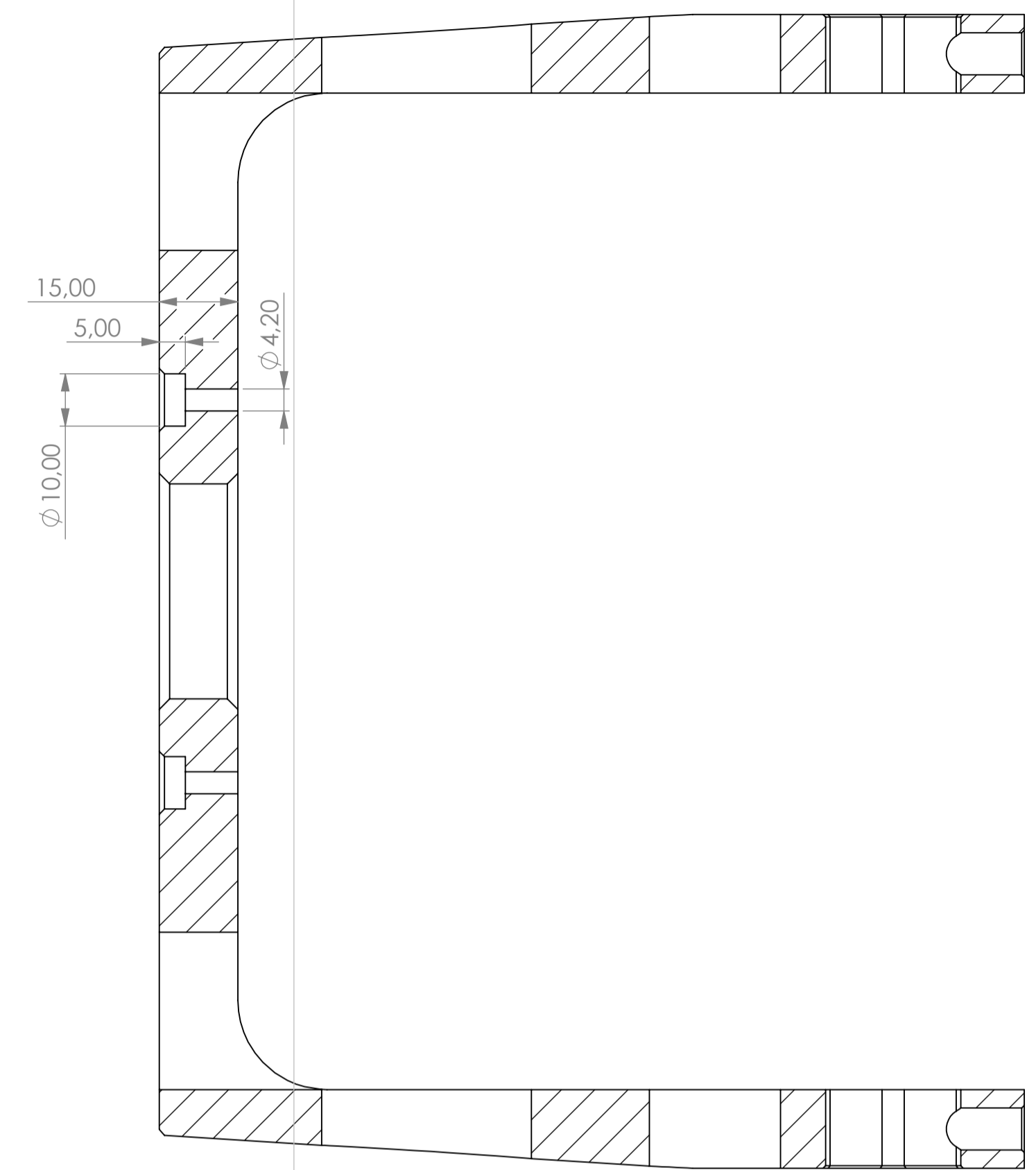
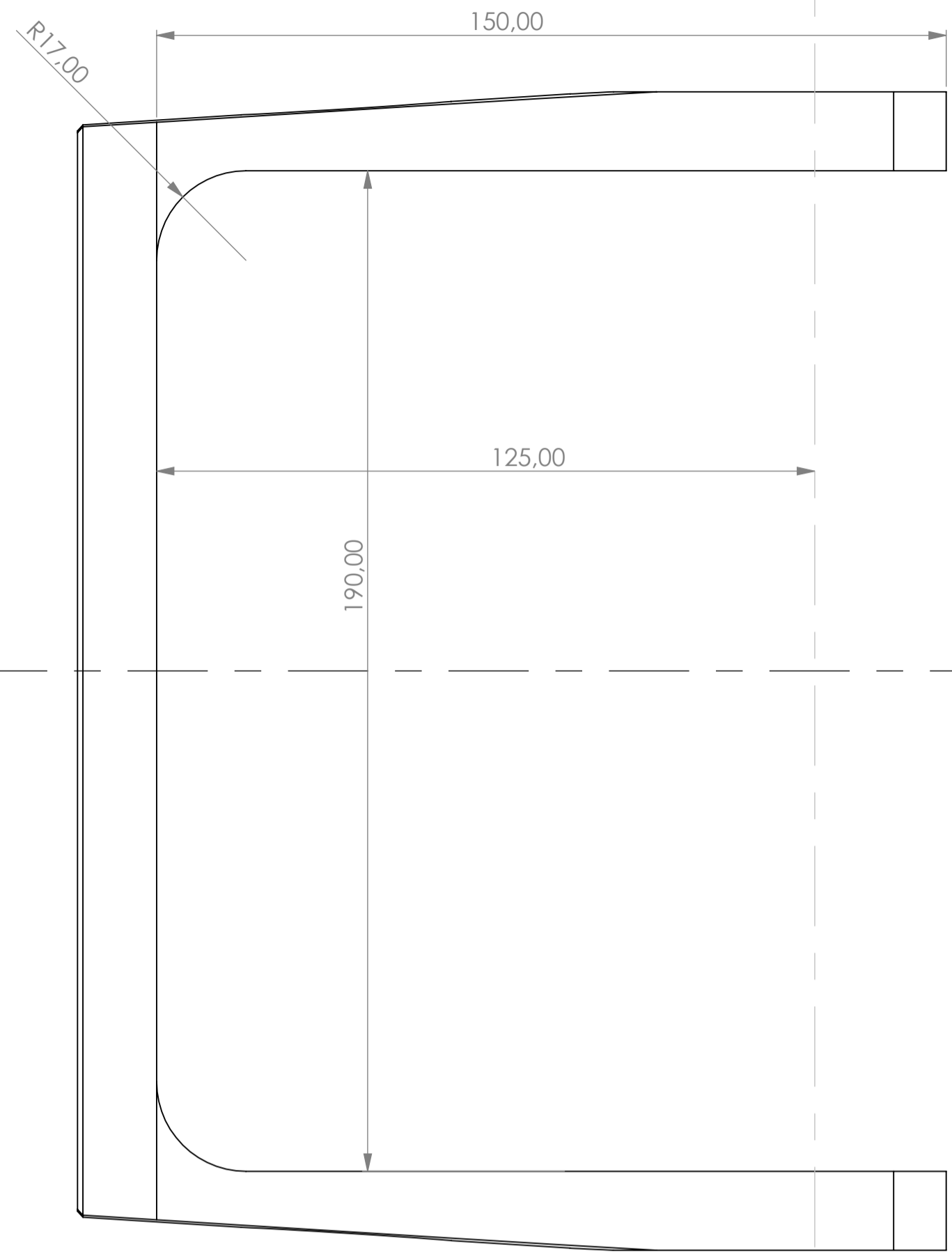
B

A

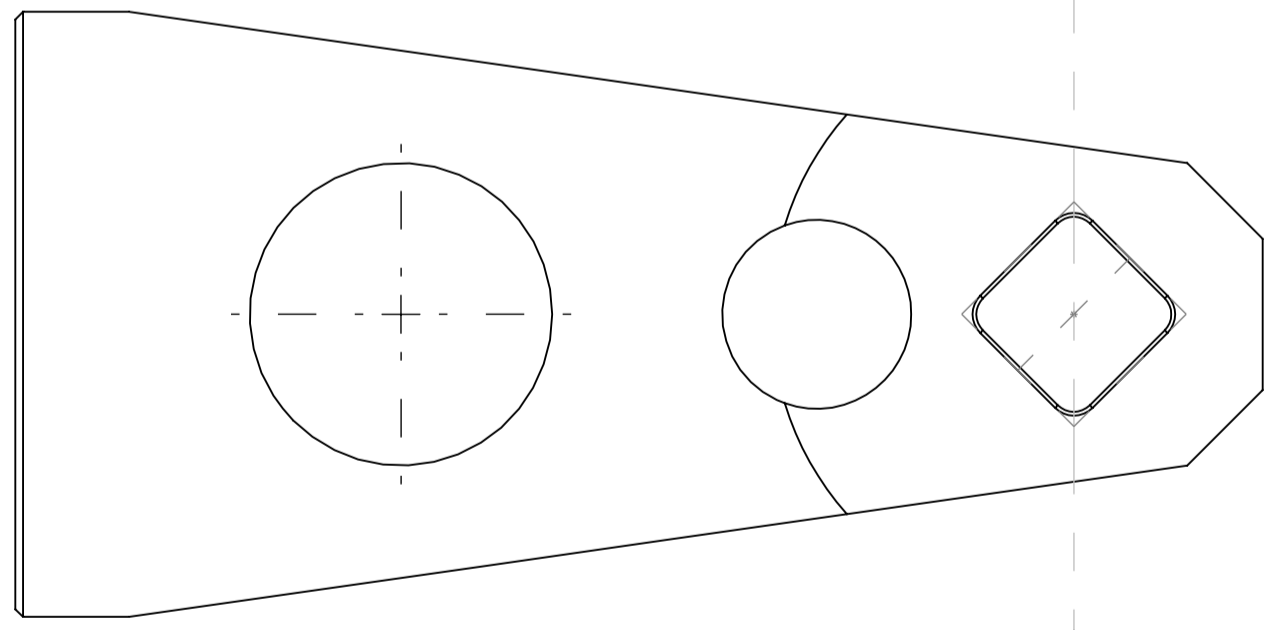


Ø 73.00

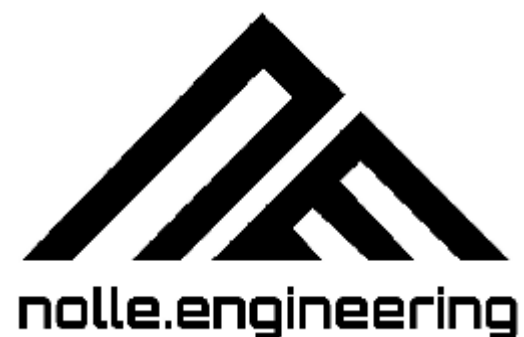
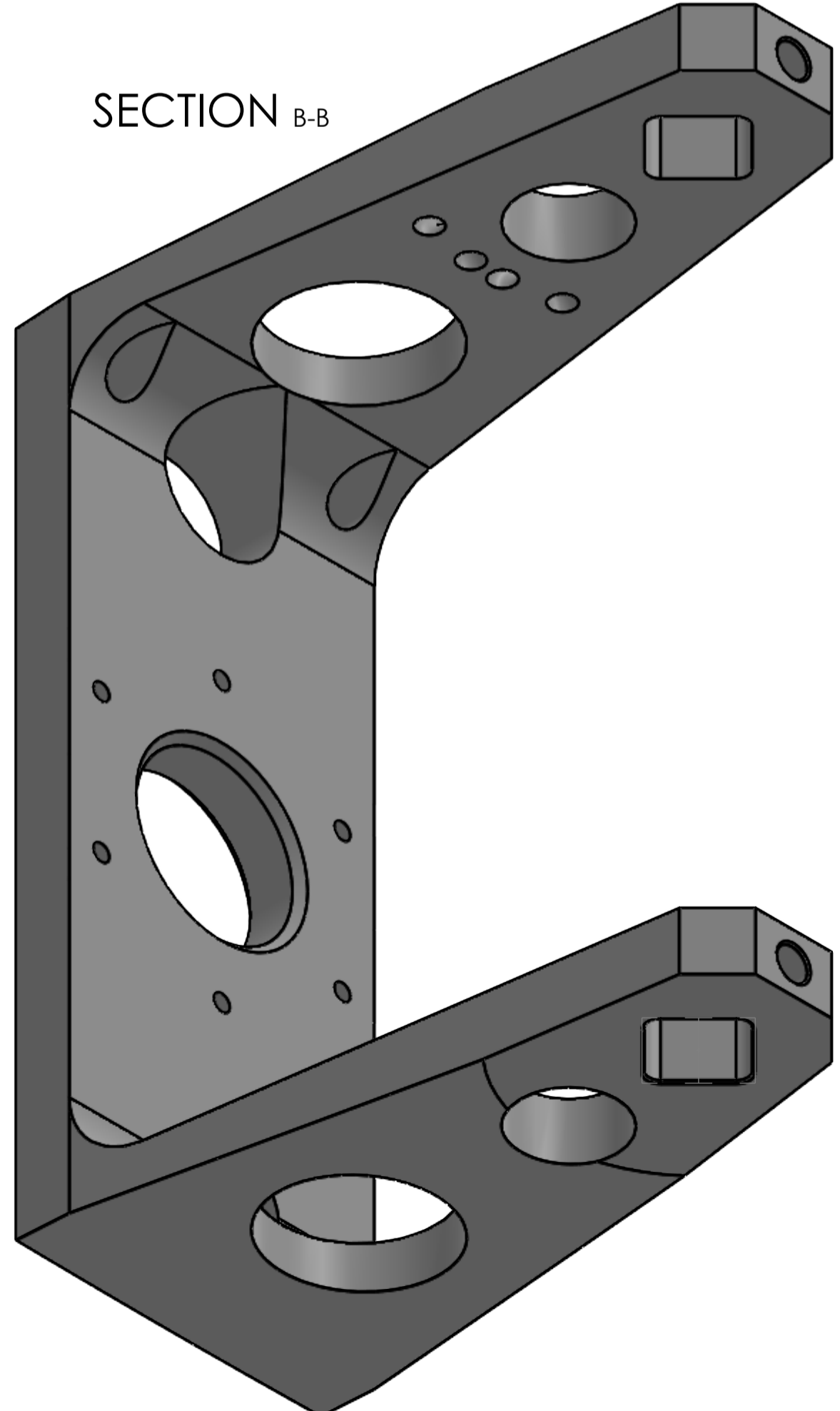
Elevation Axis



SECTION B-B



Azimuth Axis



DO NOT SCALE DRAWING	REVISION
Nolle Engineering GmbH	
TITLE: Antenna Interface	
DWG NO: antenna_mount_lband	A1
SCALE:1:1	SHEET 1 OF 1

16 15 14 13 12 11 10 9 8 7 6 5 4 3 2 1

M

L

K

J

H

G

F

E

D

C

B

A